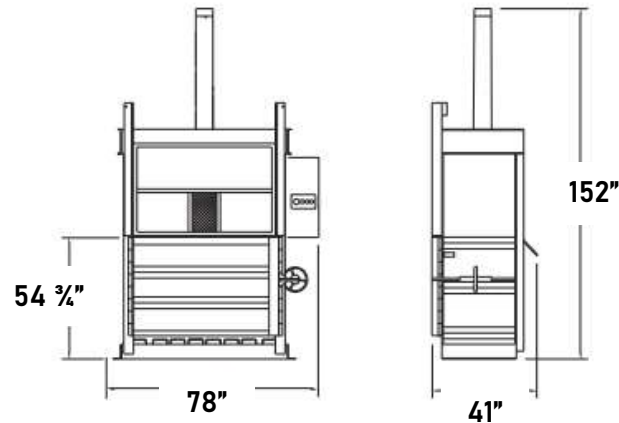


2300 HD Vertical Baler Dimensions



Overall (Width x Depth x Height) - 78" x 41" x 152"

Feed Height - 54 3/4"

Baler Chamber (Depth x Height) - 30" x 48"

Bale Weight - 800 - 1,000 Lbs

Bale Overall (Width x Depth x Height) - 60" x 30" x 48"

Pump - 10.5 GPM

Control Voltage - 110 - 120 Vac

Electric - 208 / 230 / 460 - 3 Phase

Cylinder Bore - 6"

Cylinder Rod - 3 1/2"

Rod Stroke - 48"

Motor - 10 Hp

Average Cycle Time - 56 sec

Working Pressure - 2,000 PSI