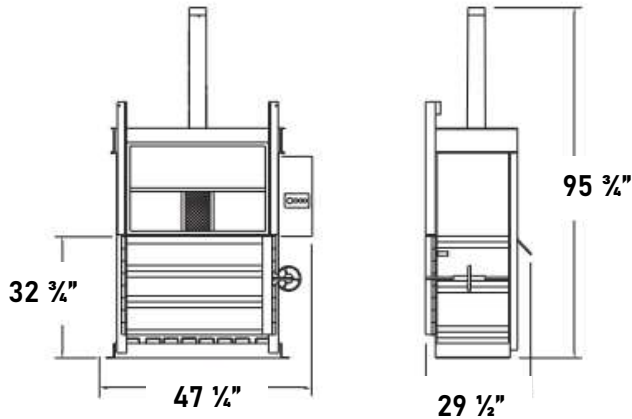


360 Vertical Baler Dimensions



Overall (Width x Depth x Height) - 47 1/4" x 29 1/2" x 95 3/4"

Feed Height - 32 3/4"

Baler Chamber (Depth x Height) - 24" x 30"

Bale Weight - 100 - 250 Lbs

Bale Overall (Width x Depth x Height) - 36" x 24" x 30"

Pump - 3.2 GPM

Control Voltage - 110 - 120 Vac

Electric - 208 / 230 / 460 - 3 Phase

Cylinder Bore - 4"

Cylinder Rod - 2 1/2"

Rod Stroke - 32"

Motor - 3 Hp [2.2 Kw]

Average Cycle Time - 39 sec

Working Pressure - 1,600 PSI