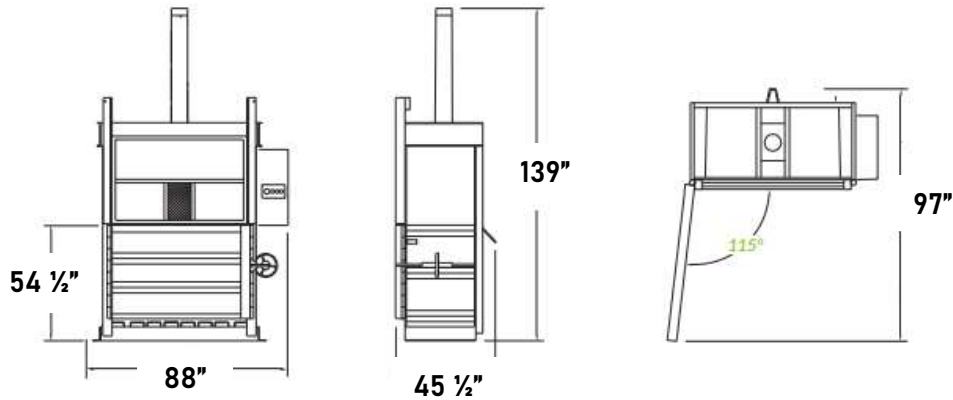


## 60" Vertical Baler Dimensions



### Specifications:

**Bale Size - 60" x 30" x 48"**

**Bale Weight - Up to 1,000 lbs**

**Bale Volume - 50 cu. ft.**

**Compact Force lbs - Normal / Maximum - 56,548/62,172**

**Platen Pressure - 32 PSI**

**Average Cycle Time - 49 Seconds**

**Loading Height - 54.50"**

**Ejector System - Semi-Automatic**

**Motor HP - 10**

**Voltage 3 Phase - 208V, 230V, 480V**

**Full Load Amps (A = Amps) - 30A, 28A, 14A**

**Normal/Maximum System Pressure PSI - 2000/2200**

**Hydraulic Tank Capacity - 22 Gallons**