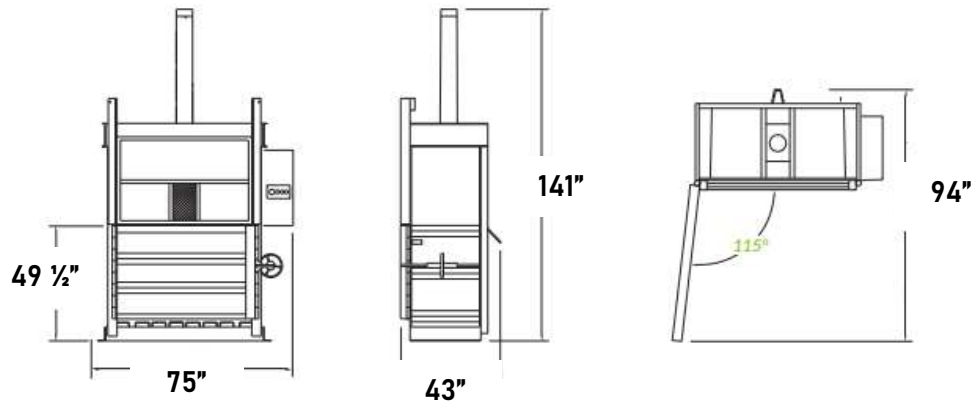


## Vertical Baler Dimensions



### Specifications:

Nominal Bale Size - 48" x 30" x 48"

Bale Weight - Up to 800 lbs OCC

Bale Volume - 40 cu. ft.

Compact Force lbs - Normal 62,203

Platen Pressure - 43 PSI

Average Cycle Time - 49 Seconds

Loading Height - 49.50"

Ejector System - Semi-Automatic

Full Bale Switch - Standard

Motor HP - 10

Voltage 3 Phase - 208V, 230V, 480V

Full Load Amps (A = Amps) - 32A, 28A, 14A

Normal System Pressure PSI - 2200

Hydraulic Tank-Capacity - 22 Gallons