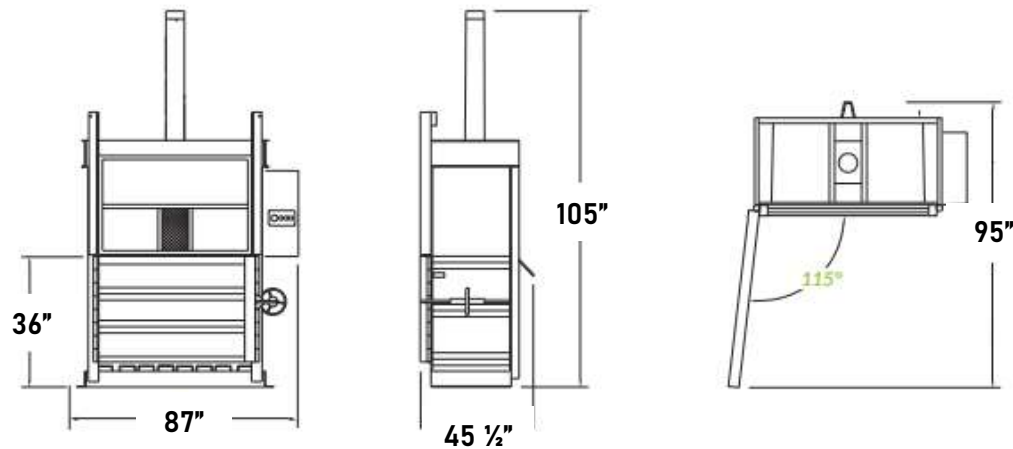


Low Profile Vertical Baler Dimensions



Specifications:

Bale Size - 60" x 30" x 30"

Bale Weight - Up to 700 Pounds

Bale Volume - 31 cu. ft.

Average Cycle Time - 25 Seconds

Platen Pressure - 35 PSI

Loading Height - 36"

Ejector System - Semi-Automatic

Normal/Maximum System Pressure - 2200/2400

Hydraulic Tank-Capacity - 22 Gallons