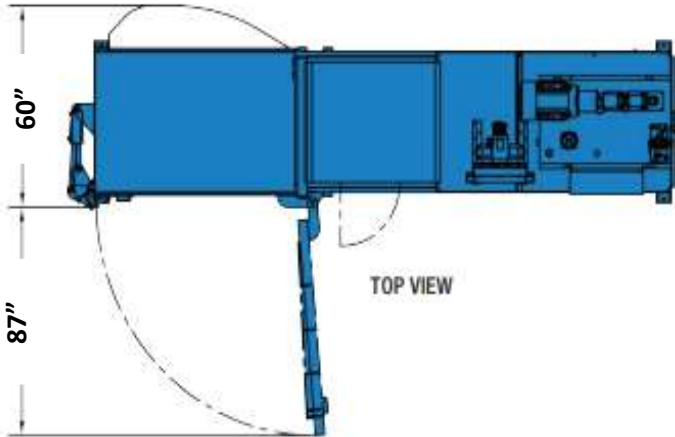
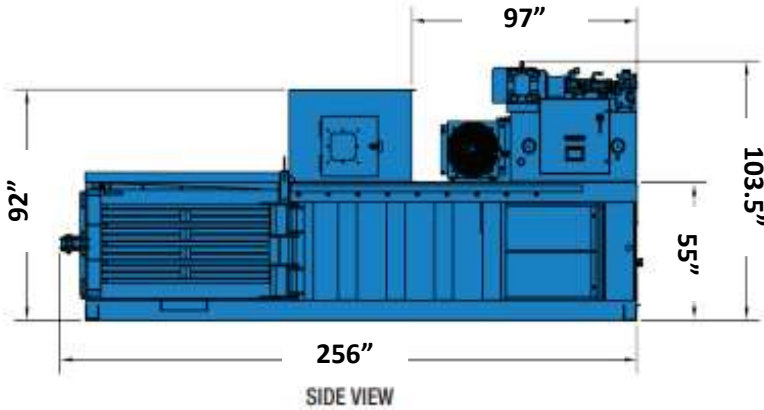


# Side Eject Horizontal Baler



Side-Eject Horizontal Baler Dimensions